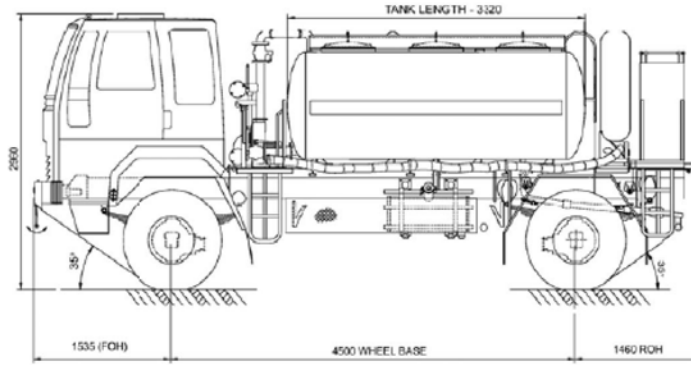


STALLION 4X4 MKIV - AQUA THERMA



Technical Specifications

ENGINE

Model	: WO6DTI
Max output	: 132 kW @ 2400 rpm
Max torque	: 61 KgM @ 1600 rpm

GEARBOX

Model	: S6 36
Type	: 6 Speed synchromesh
No. of speed	: 6 Fwd and 1 Rev

AUXILLIARY GEAR BOX

Type	: High Low
	: 1.00:1 2.147:1
Drive	: Disengagable front drive

PROPELLER SHAFTS

Type	: 1600 series (3 Nos)
------	-----------------------

FRONT AXLE

Drive	: Fully floating, single speed axle with steerable ends
Capacity	: 7500 kgs
Ratio	: 5.833:1

REAR AXLE

Drive	: Fully floating, single speed, hypoid drive with cross axle lock
Capacity	: 10200 kgs
Ratio	: 5.833:1

FRAME

Type	: All-steel, ladder type, bolted
Cross Section	: 229mm x 76mm x 6mm
Cross Members	: 7 nos.

SPRINGS

Type	: Semi elliptical, laminated multi-leaf shock absorbers
------	---

STEERING

Type	: Integral power steering
------	---------------------------

WHEELS & TYRES

Type	: 355/90 x 20 CC pattern 395/85 R 20 XZL - optional
------	--

BRAKES

Type	: Dual line, direct air pressure on all wheels
Parking brake	: On axle assy
Exhaust brake	: Butterfly type valve

DRIVER'S CABIN

Roomy, tiltable driver's cabin

MAJOR DIMENSIONS (MM)

Wheelbase	: 4500
Front overhang	: 1535
Rear overhang	: 1460
Overall length	: 7495
Ground clearance	: 315

WEIGHTS (Kgs)

	FAW	RAW	TOTAL
Unladen	4300	2940	7240
GVW	6080	7120	13200

PERFORMANCE DATA

Maximum speed	: 82 Kmph
Maximum gradeability	: 30 deg

SUPER STRUCTURE DETIALS

Water tank capacity	: 5 KL
Material	: Stainless steel AISI 316L
PUF insulation	: POLYCOL (or) Equitant

Pump Capacity

Suction head	: 7m (min)
Delivery head	: 23m (min)



ASHOK LEYLAND

No 1 Sardar Patel Road, Guindy, Chennai - 600 032, India Ph: (91) 44-22206000 Fax: (91) 44-22206001 www.ashokleyland.com



HINDUJA GROUP